

4

3

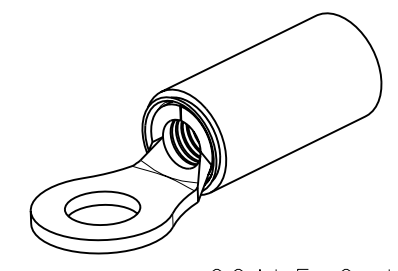
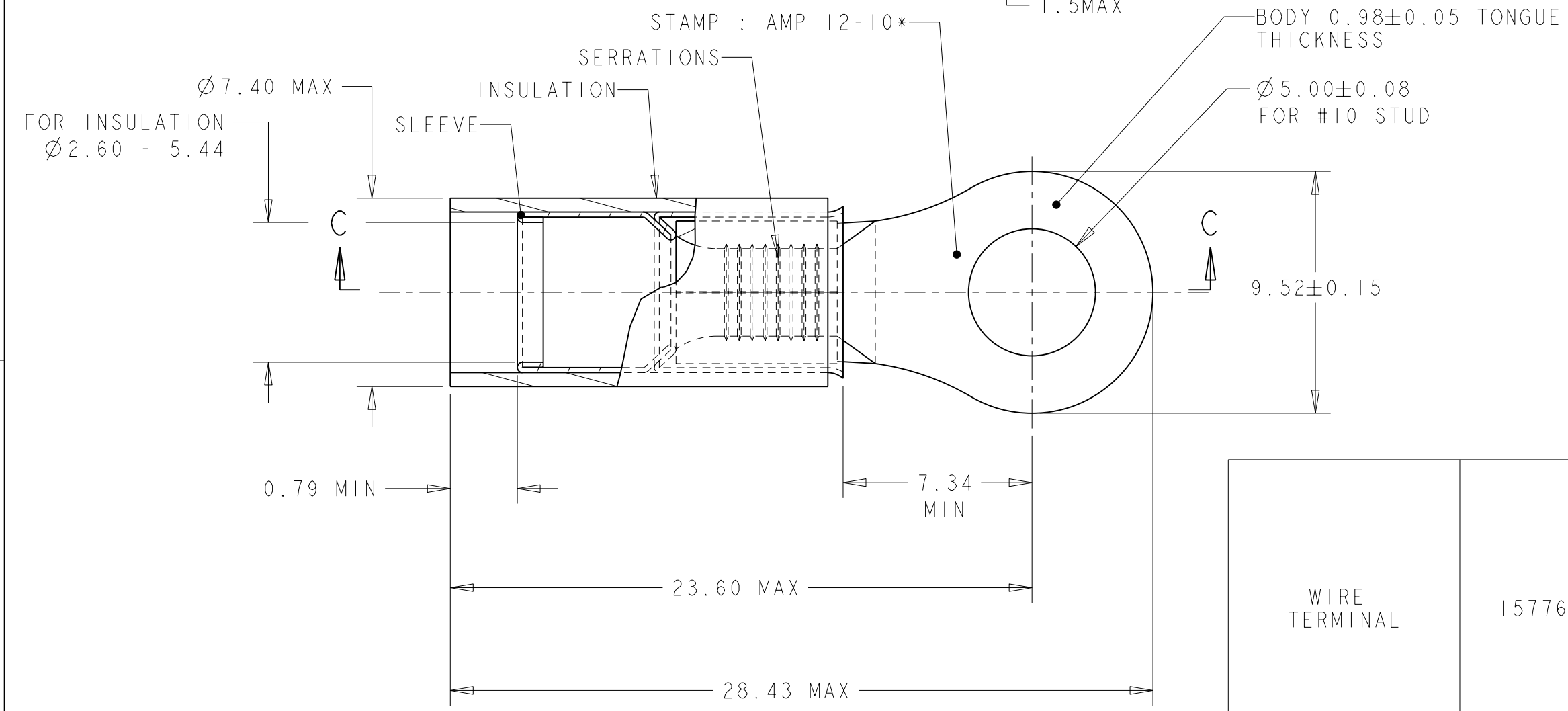
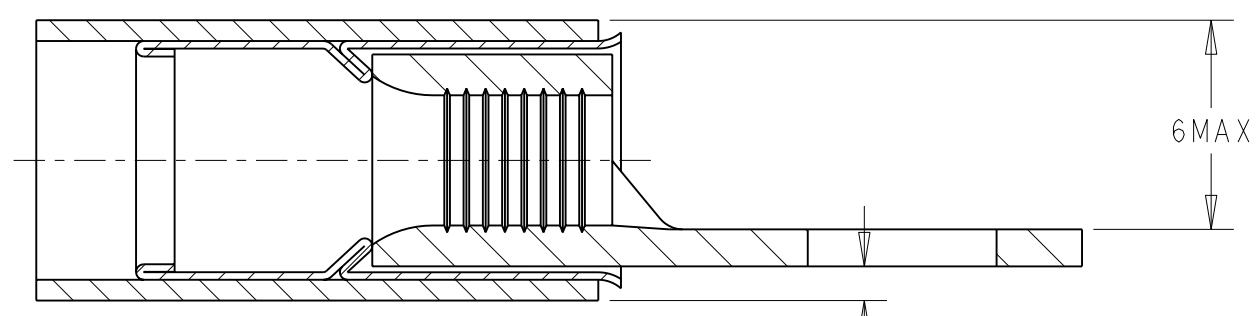
2

1

THIS DRAWING IS UNPUBLISHED. RELEASED FOR PUBLICATION 20
 © COPYRIGHT 20 BY TYCO ELECTRONICS CORPORATION. ALL RIGHTS RESERVED.

LOC	DIST	REVISIONS			
P	LTR	DESCRIPTION	DATE	DWN	APVD
F	00	B	ECR 07-025006	29OCT2007	JT GR

COUPE C-C



WIRE TERMINAL	1577647-1	BODY : COPPER ANNEALED FINISH : NICKEL PLATED
		SLEEVE : COPPER ANNEALED FINISH : NICKEL PLATED
		INSULATION : PEEK COLOR : BLACK
DESCRIPTION	PART NUMBER	MATERIAL & FINISH

<small>THIS DRAWING IS A CONTROLLED DOCUMENT FOR TYCO ELECTRONICS CORPORATION IT IS SUBJECT TO CHANGE AND THE CONTROLLING ENGINEERING ORGANIZATION SHOULD BE CONTACTED FOR THE LATEST REVISION.</small>		DWN JJ. DESPRETZ 27FEB2006	Tyco Electronics France SAS 95300 Pontoise, France	
DIMENSIONS: mm 	TOLERANCES UNLESS OTHERWISE SPECIFIED: 0 PLC ±- 1 PLC ±0.3 2 PLC ±- 3 PLC ±- 4 PLC ±- ANGLES ±5 FINISH SEE TABLE	CHK G-ROBERT 27FEB2006	NAME TERMINAL, PEEK PIDG STRATO, 10 AWG	
		APVD Y-PETRONIN 27FEB2006	PRODUCT SPEC 108-15356	SIZE A3
MATERIAL SEE TABLE	FINISH SEE TABLE	APPLICATION SPEC 114-15102	DRAWING NO 1577647	RESTRICTED TO -
		WEIGHT 2,37 gr	SCALE 5:1	SHEET 1 OF 1
		CUSTOMER DRAWING	REV B	